

Modular Preparation 1200 mm Hot Wall Cupboard with Sliding Doors

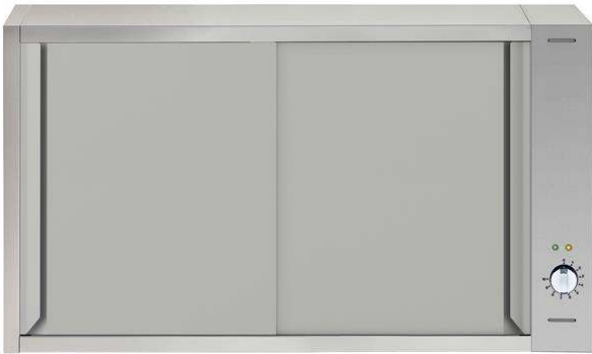
ITEM # _____

MODEL # _____

NAME # _____

SIS # _____

AIA # _____



121886 (TAPCR12)

 Hot Wall Cupboard with
sliding doors, 1200mm

Short Form Specification

Item No.

Constructed entirely in 304 AISI stainless steel. Front and rear longitudinal stainless steel c-channel reinforcement. Internal and external side panels with sound deadening reinforcements to strengthen structure. Easily removable sliding doors with sound deadening internal and external panels have stainless steel bearings on the top and a hidden runner on the bottom. 45° degree internal side corner junction system. 304 AISI middle shelf, with inner double fold to eliminate gaps between sides and back, height-adjustable in 3 positions with a stainless steel support to avoid twisting. Fan-assisted heating via armoured elements assures temperature ranges from 30° to 90°C. Removable control panel with mechanical thermostat, green ON/OFF indicator light and orange indicator light for heating element operation.

Main Features

- Extremely easy to clean thanks to the smooth edges.

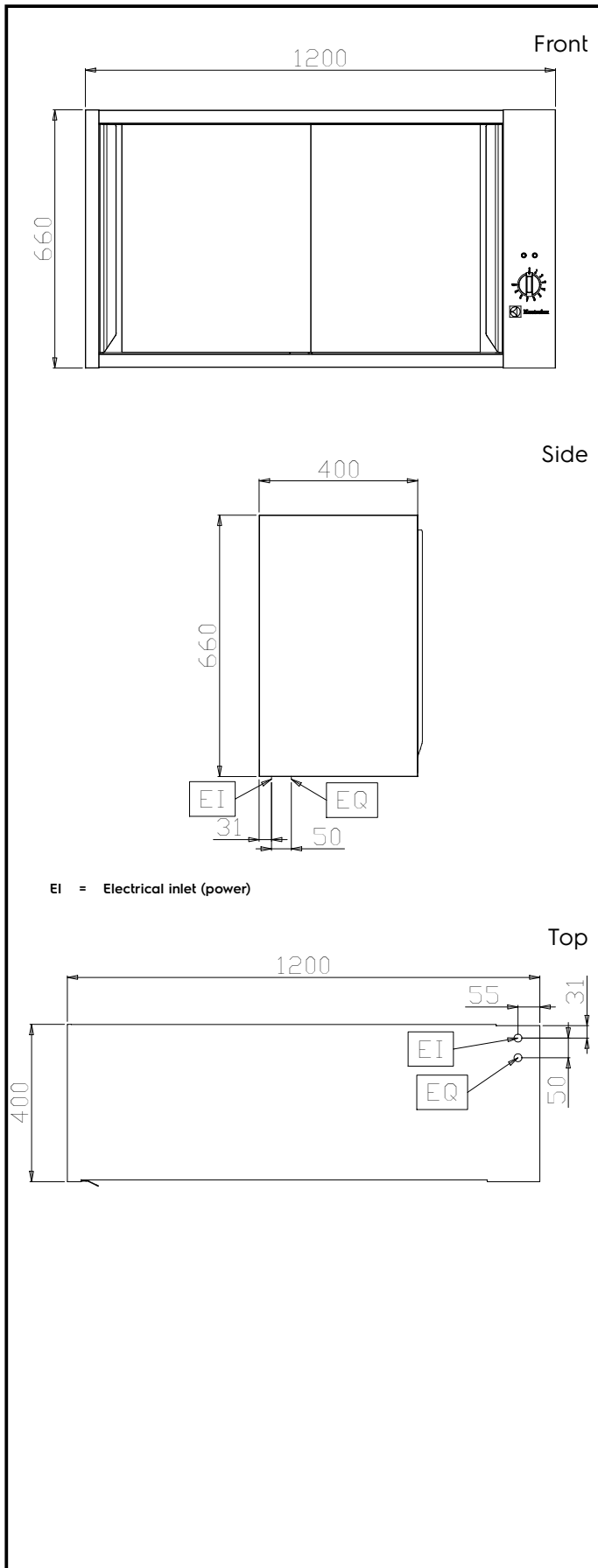
Construction

- Front and rear lengthwise stainless steel c-channel reinforcement, 15/10 (16 gauges).
- Internal sides supporting the structure to have 45° degrees internal side corners junction system.
- 30 mm high middle-shelf in AISI 304 stainless steel, height-adjustable in 3 positions, with inner double fold to eliminate gaps between sides and back.
- 660 mm body height is surrounded by a stainless steel structure.
- Sliding doors, with sound deadening internal and external panels, run on the upper part on the s/s bearings and on the lower part on a hidden runner. Doors are easy to remove thus facilitating cleaning procedures.
- Fan assisted heating via amored elements ensuring temperature range from 30° to 90°C.
- Detachable control panel with mechanical thermostat and on/off green and orange indicator light for heating element operation.
- Constructed entirely in AISI 304 Stainless Steel with Scotch Brite finish.

Optional Accessories

- Kit of 1 halogen lamp for wall cupboards, 600mm PNC 855803
- Kit of 1 halogen lamp for wall cupboards, 900mm PNC 855804

APPROVAL: _____



Electric

Supply voltage:	
121886 (TAPCR12)	230 V/1 ph/50/60 Hz
Total Watts:	1.4 kW

Key Information:

Cabinet width:	1030 mm
Cabinet depth:	295 mm
Cabinet height:	590 mm
N° of doors:	2
Door Type:	Sliding
External dimensions, Width:	1200 mm
External dimensions, Depth:	400 mm
External dimensions, Height:	660 mm
Net weight:	57 kg